



**EVOTECH**®  
P E R F O R M A N C E

**Installation Instructions**

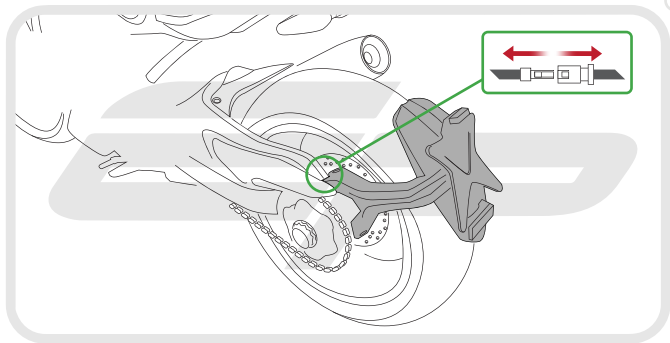


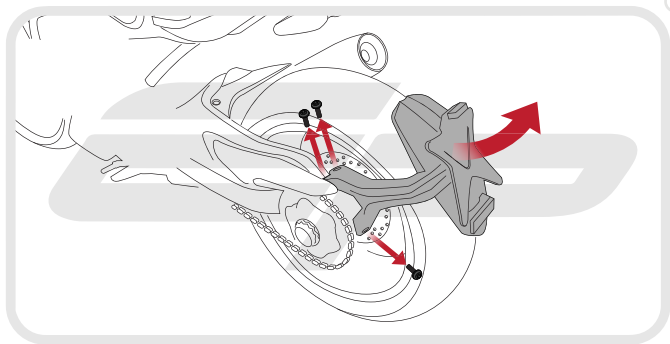
## DUCATI MONSTER 1200 2014 TAIL TIDY

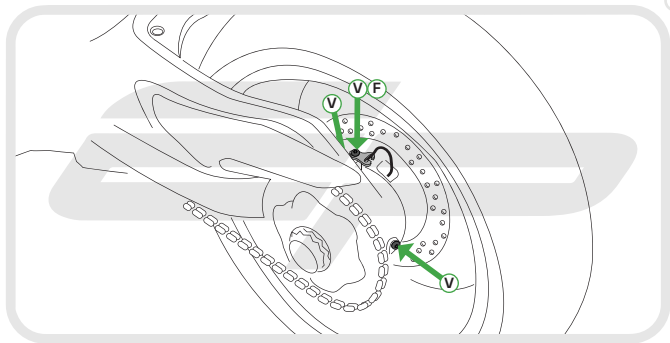
Product Reference - 11999

### Kit Contents

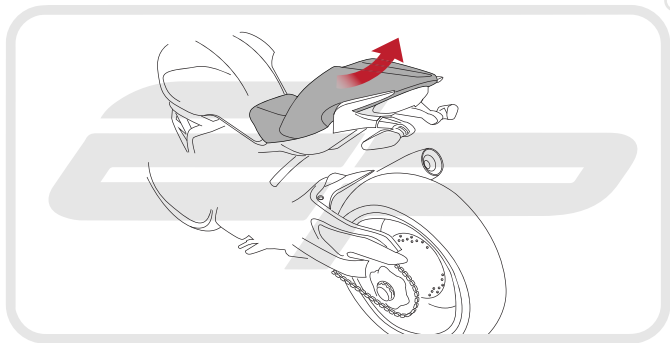
- |  |   |
|--|---|
| <b>A</b> 1 x Main Mounting Bracket             | <b>P</b> 2 x Pair Bullet Connectors (1200 Only)     |
| <b>B</b> 1 x LH Arm                            | <b>Q</b> 2 x Male Spade Connectors (821 Only)       |
| <b>C</b> 1 x RH Arm                            | <b>R</b> 2 x Indicator Extension Wires (821 Only)   |
| <b>D</b> 1 x Licence Plate Holder              | <b>S</b> 2 x M8 - 25 Button Head Screws (821 Only)  |
| <b>E</b> 1 x Reflector and Bracket             | <b>T</b> 2 x M8 Mounting Spacers (821 Only)         |
| <b>F</b> 1 x Cable Bracket (1200 Only)         | <b>U</b> 2 x M8 Custom Washers (821 Only)           |
| <b>G</b> 1 x Licence Plate Light               | <b>V</b> 3 x M8 - 10 Button Head Screws (1200 Only) |
| <b>H</b> 1 x Wiring Connector Loom (1200 Only) | <b>W</b> 3 x M6 Trunions                            |
| <b>I</b> 2 x Indicator Arms                    | <b>X</b> 3 x M6 - 16 Countersink Screws             |
| <b>J</b> 2 x Indicator Mounting Plates         | <b>Y</b> 4 x Indicator Adapters                     |
| <b>K</b> 2 x M5 - 50 Button Head Screws        | <b>Z</b> 4 x Mounting Bosses                        |
| <b>L</b> 2 x M5 - 12 Cap Head Bolt             | <b>AA</b> 4 x M6 Custom Washers                     |
| <b>M</b> 2 x M3 - 12 Button Head Screws        | <b>BB</b> 4 x M6 - 12 Button Head Screws            |
| <b>N</b> 2 x Number Plates Screws and Nuts     | <b>CC</b> 6 x Cable Ties                            |
| <b>O</b> 2 x Screw Head Caps                   |   |







**EVOTECH**<sup>®</sup>  
P E R F O R M A N C E

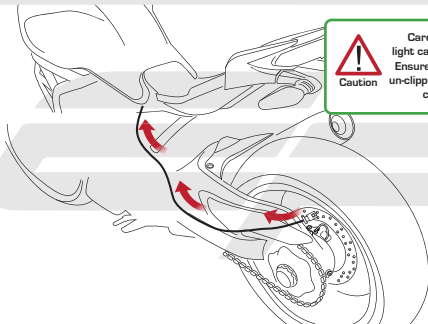


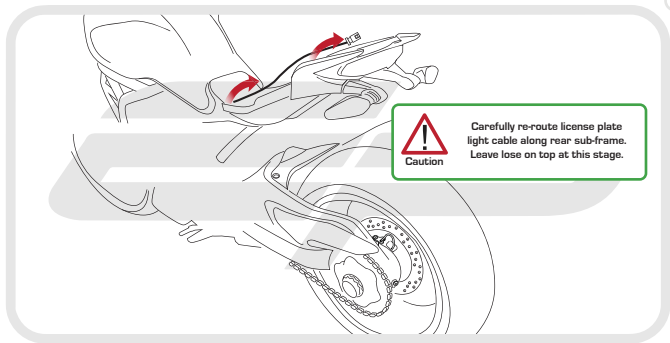
**EVOTECH**<sup>®</sup>  
P E R F O R M A N C E



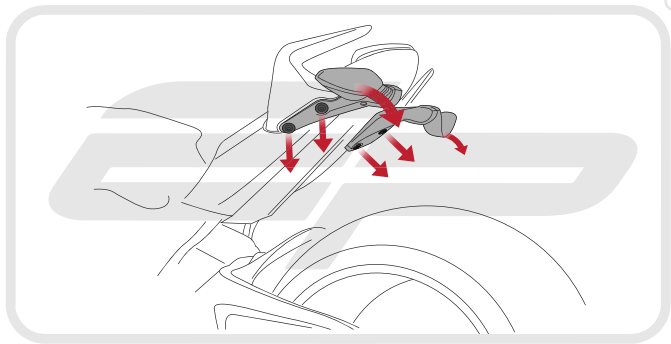
Caution

Carefully trace license plate light cable back to the main loom. Ensure any other cables that are un-clipped are re-clipped once light cable has been moved

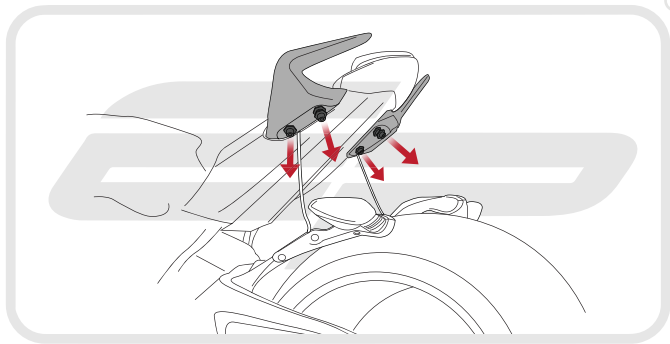




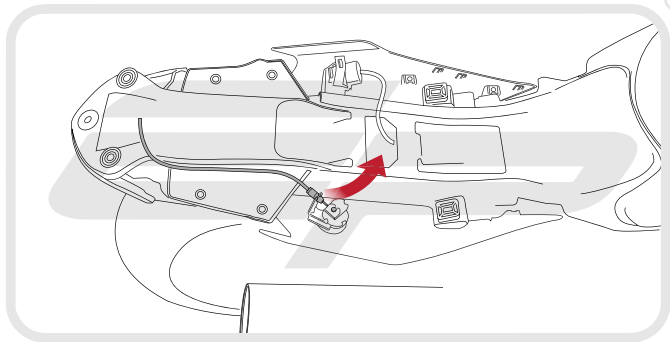


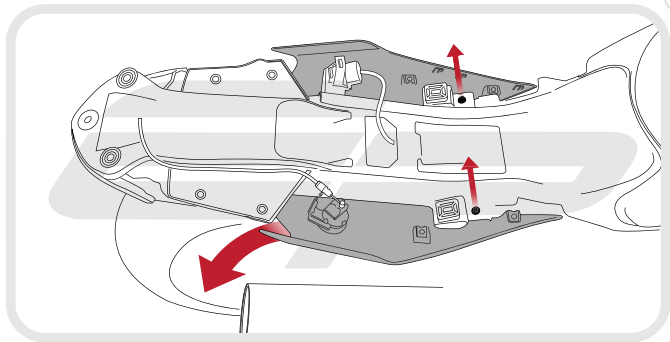


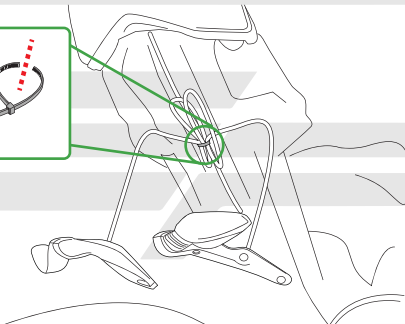
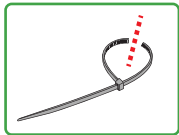
**EVOTECH**<sup>®</sup>  
P E R F O R M A N C E

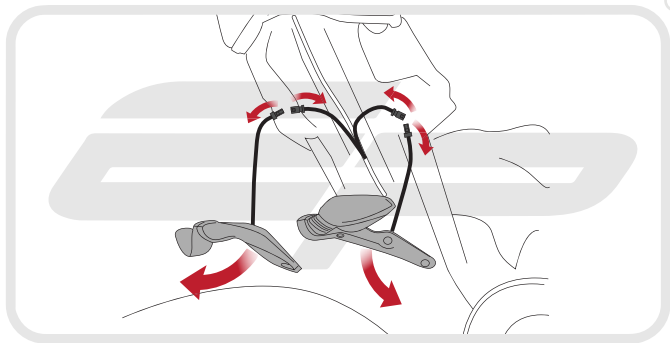


**EVOTECH**<sup>®</sup>  
P E R F O R M A N C E







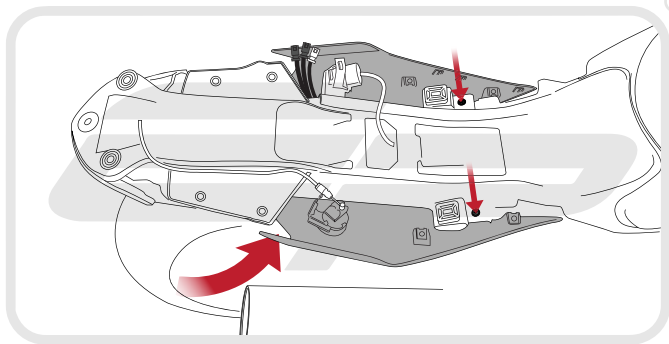


**EVOTECH**<sup>®</sup>  
P E R F O R M A N C E



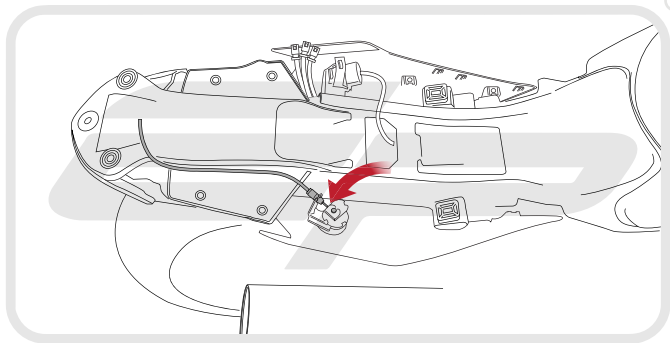
Caution

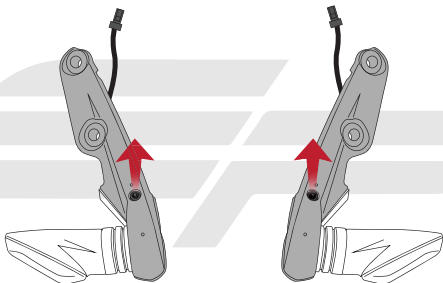
Move indicator wires over to the left hand side of the bike. Route the licence plate light from stage 6 under sub-frame to the same location as the indicator wires.



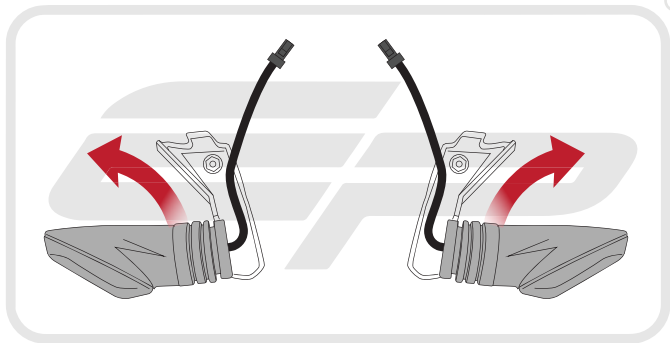
**EVOTECH**<sup>®</sup>  
P E R F O R M A N C E

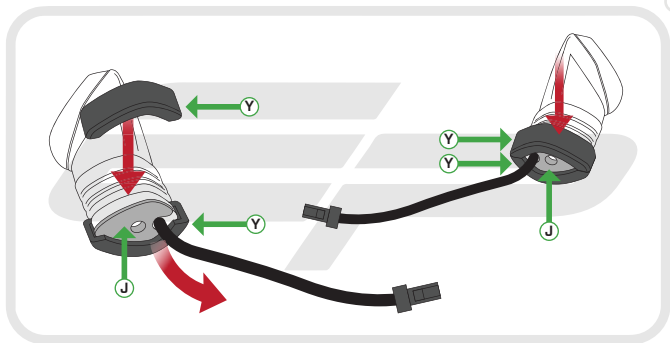




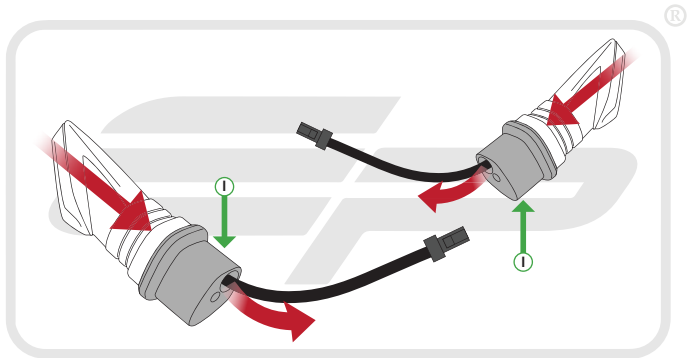


**EVOTECH**<sup>®</sup>  
P E R F O R M A N C E

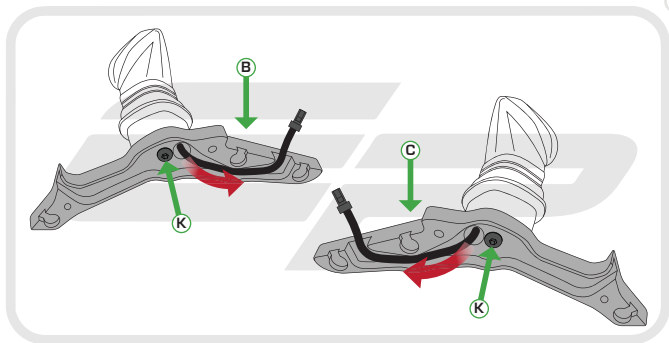


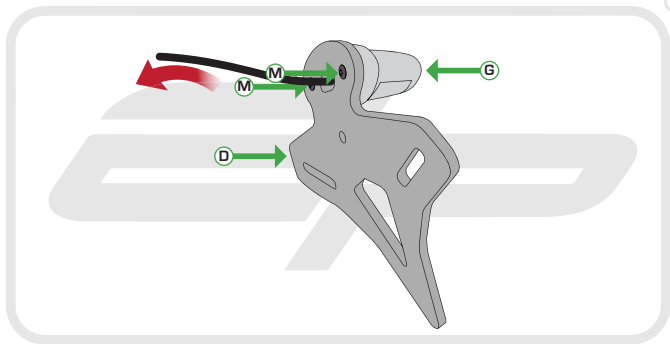


**EVOTECH**<sup>®</sup>  
P E R F O R M A N C E

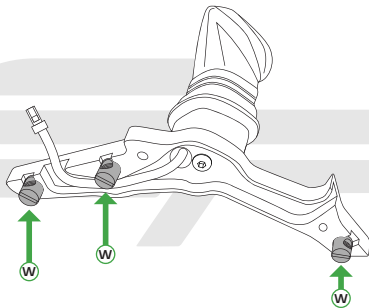


**EVOTECH**<sup>®</sup>  
P E R F O R M A N C E



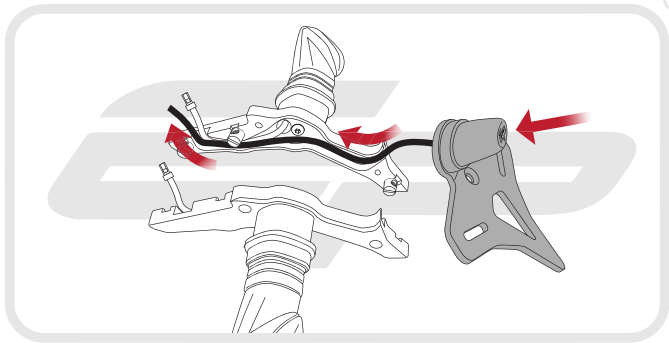


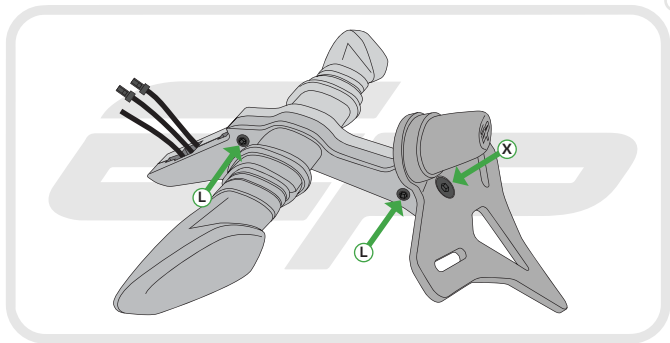
**EVOTECH**<sup>®</sup>  
P E R F O R M A N C E



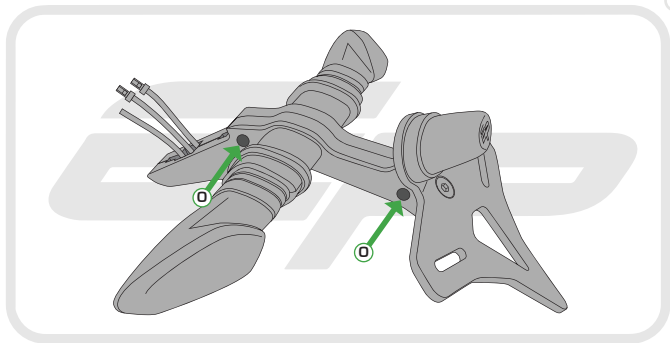
**EVOTECH**<sup>®</sup>  
P E R F O R M A N C E



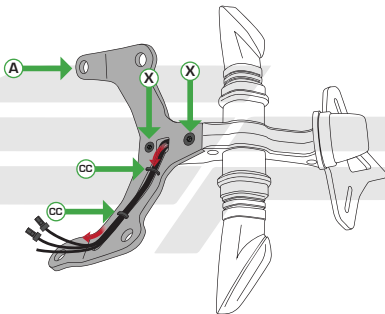




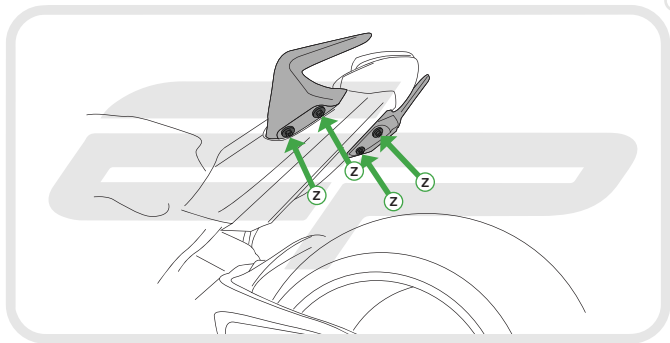
**EVOTECH**<sup>®</sup>  
P E R F O R M A N C E



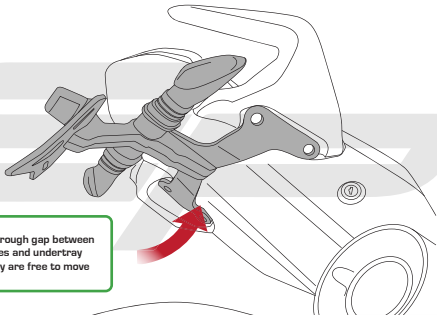
**EVOTECH**<sup>®</sup>  
P E R F O R M A N C E



**EVOTECH**<sup>®</sup>  
P E R F O R M A N C E

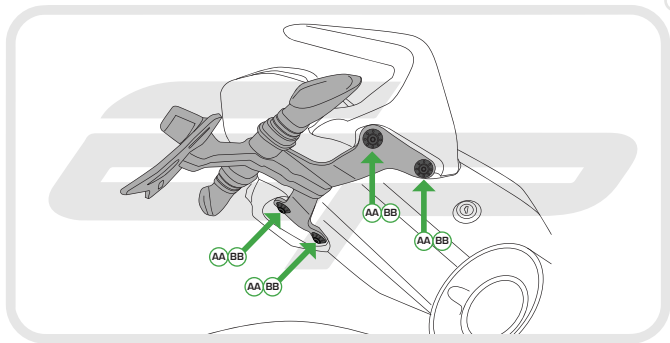


**EVOTECH**<sup>®</sup>  
P E R F O R M A N C E

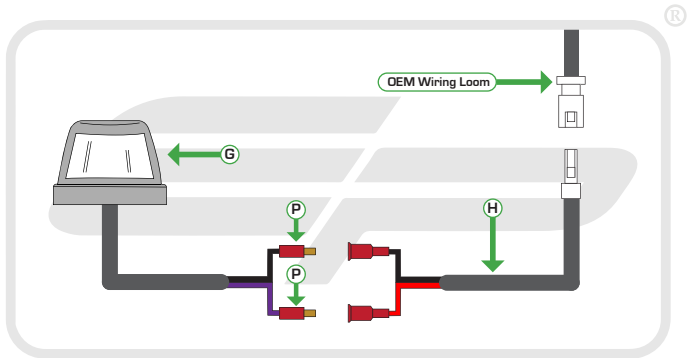


Caution

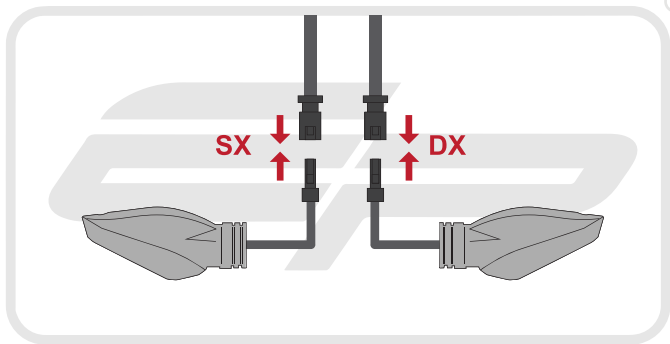
Feed wires through gap between grab handles and undertray ensuring they are free to move



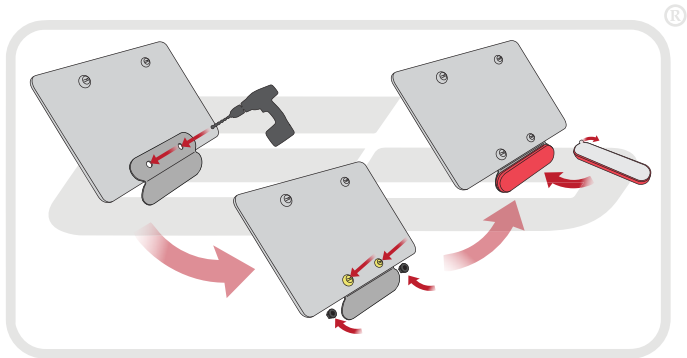
**EVOTECH**<sup>®</sup>  
P E R F O R M A N C E







**EVOTECH**<sup>®</sup>  
P E R F O R M A N C E





### ESSENTIAL CHECKS



After installation of your tail tidy ensure that the licence plate does not contact the rear tyre when suspension is fully compressed.

Ensure all electrics including indicators, tail light, brake light and licence plate light are working correctly before riding the motorcycle.

It is recommended that periodic inspections are made to ensure that all fixings are fully tightend.



**EVOTECH**®  
P E R F O R M A N C E

[www.evotech-performance.com](http://www.evotech-performance.com)