



EVOTECH®
P E R F O R M A N C E

Installation Instructions

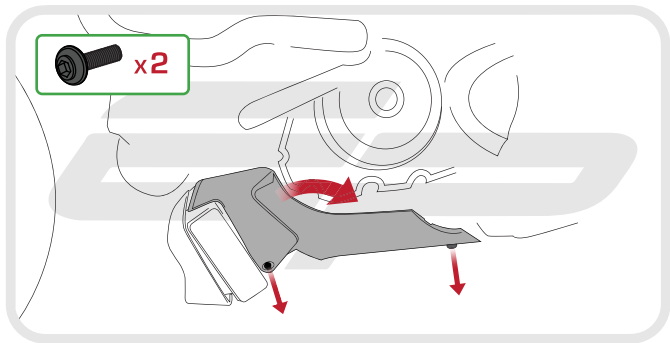


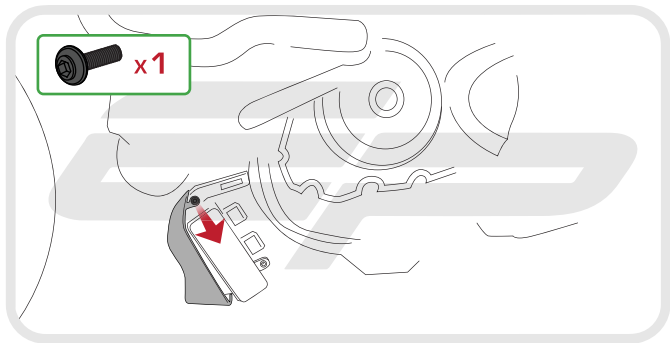
**DUCATI MONSTER 1200 AND 1200s
OIL COOLER GUARD**

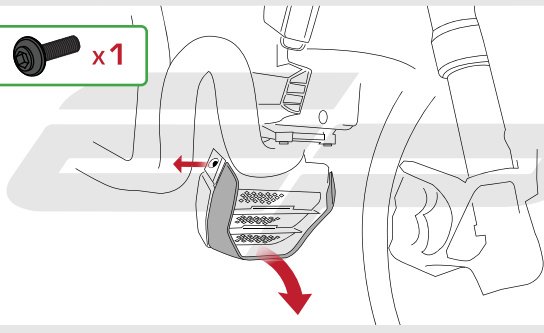
Product Reference - 11675

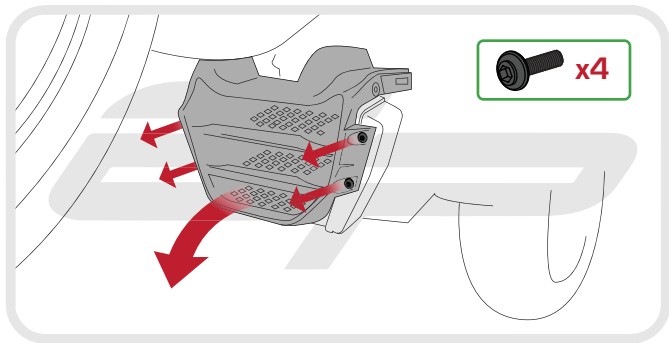
Kit Contents

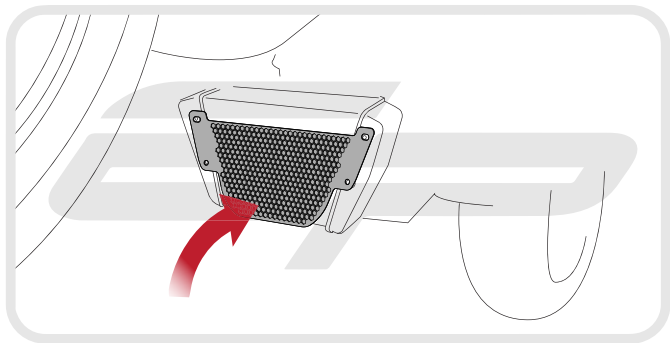
- Ⓐ 1 x Oil Cooler Guard

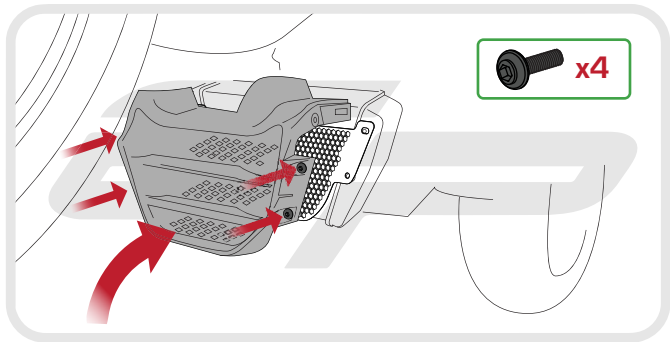














Reverse Stage

3, 2, 1



Maintenance

It is recommended that periodic inspections are made to ensure that dirt and debris have not become trapped between the guard and the radiator/oil cooler. Such dirt and debris would reduce the cooling efficiency of the radiator/oil cooler



EVOTECH[®]
P E R F O R M A N C E

www.evotech-performance.com